

## SCOPE

L-94 series are angle stop valves, intended to be manually operated by quarter turn and suitable to be in contact with water for human consumption.

These valves are designed to be placed immediately ahead of a washing machine or dishwasher to shut off the water supply to the terminal device so that it can be serviced or replaced.

These valves are intended to fit in small room places, where the accessibility doesn't allow another valve.

Its dimensions and designs allows it to suit in every place and ambience. Design and utility are not incompatible in this series, they work together obtaining a perfect combination.

## MAIN FEATURES

Maximum pressure: 16 bar  
Temperature range: Cold and hot water up to 95°C  
Fluid: Water intended to human consumption

### **Components**

Body: European brass CW617N, chrome plated  
Stem-ball: European brass CW614N  
Seats: NBR  
Seals: NBR  
Supporting clip: POM  
Handle: ABS or ZAMAK chrome plated  
Rosette: Stainless steel  
Index: ABS, blue color



### **Product range**

- Outlet connection without nut for connecting to flexible hoses.

## SPECIAL FEATURES

### **Stem-ball**

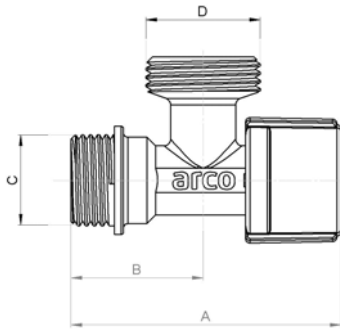
Stem and ball are manufactured in one piece, increasing like this the resistance and the performance, and allowing its special design a smooth operation. It's an original design from Válvulas ARCO, and it's covered by several international patents around the world.



This stem-ball is provided of 2 o-ring in order to increase the resistance of the valve against external leaks and allowing a long term operation.

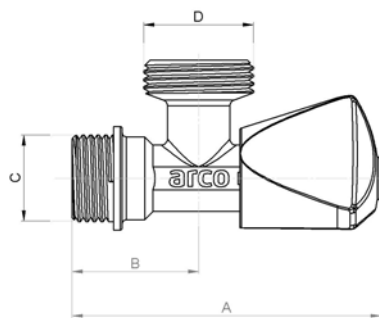
The inner passage of water through the stem-ball is optimized to reduce the loss of pressure, increasing the flow and minimize any noise. Therefore, the design is safer, more efficient and quieter than other valves.

### DIMENSIONS



L-94 with NOVA handle				
SIZE	A	B	C	D
1/2 x 3/4	62	30,5	G 1/2A	G 3/4A

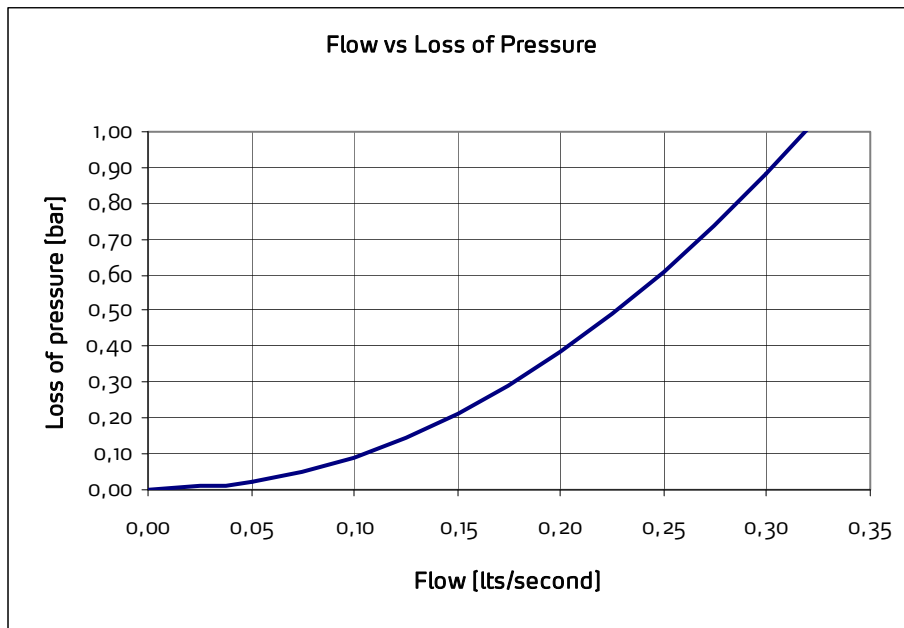
G: Pipe thread ISO 228, tolerance class A



L-94 with LUXE handle				
SIZE	A	B	C	D
1/2 x 3/4	74	30,5	G 1/2A	G 3/4A

G: Pipe thread ISO 228, tolerance class A

### HYDRAULIC CHARACTERISTICS



Every product has an impact on the environment during all stages of its life-cycle, including final disposal. All components of these valves can be recycled, deposit the valve in a green or recycled point when no longer useful.

---

Válvulas ARCO, SL reserves the right to change our products and specifications at any time and without prior notice.

---